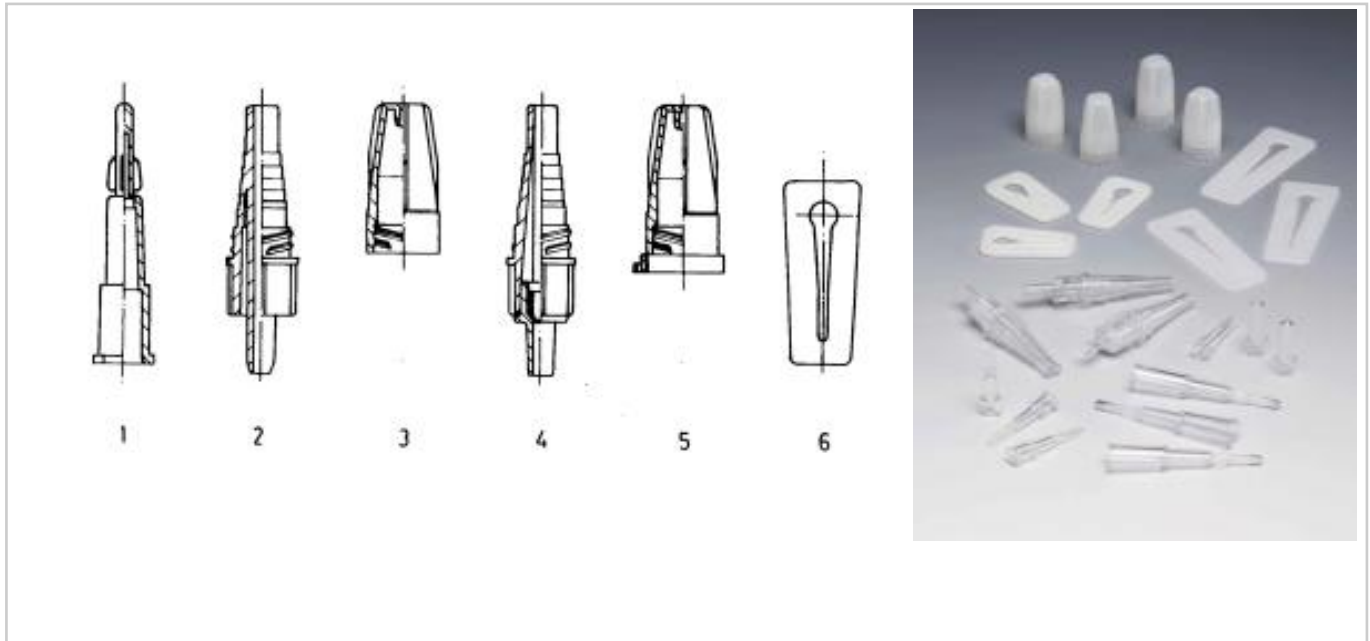


ACCESSORIES FOR MEDICAL COMPONENTS



rif	Description	Code	Material	Color	Pack Detail
1A	Female 7 adapter - break-off tip	976A13450AA	PC	Natural	6000
1B	Luer adapter - Break-off tip	946B19060AA	PC	Natural	22000
2A	7 urology reducer	977A14501AA	PC	Natural	4000
3A	Cap for 7 urology reducer	978A1087048	PP COPO	Natural	6000
3B	Cap for 7 urology reducer / ethylene oxyde	978B1087035	PP COPO	Natural	6000
4A	7 urology reducer with valve	977C00001AA	PC	Natural	4000
6A	Slide clamp 8	963A13460AA	ABS	Natural	7000
6B	Slide clamp 8	963A13460AA	PP COPO	Natural	7000
6C	Slide clamp 7	963B14830AA	PP COPO	Natural	9000
5	5x7 Cap	939A14530AA	PC	Natural	23000